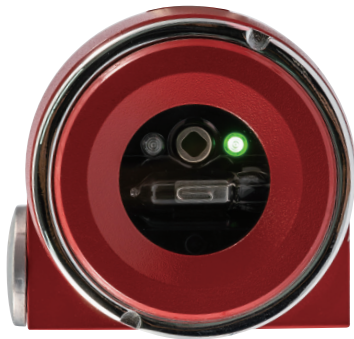


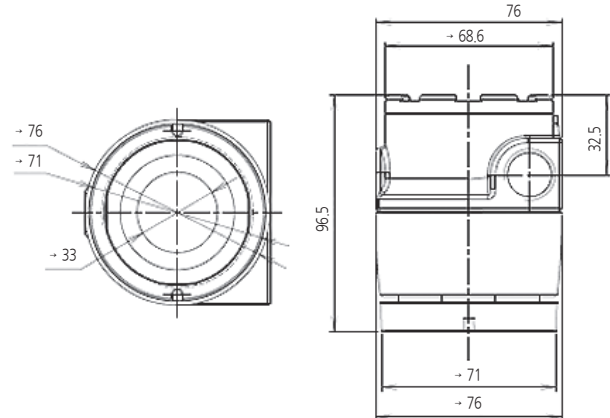
GTF-1100U UV/IR Flame Detector

| Detection distance: 30m | Viewing angle: Vertical 100°, Horizontal 100° | Automatic & manual self-diagnosis function | interface - Relay contact output (fire & breakdown) - RS-485 communication - 0 ~ 20mA output | Indicators - Status LED (Bi-Color: RED & GREEN), Alarm LED (RED) |

IMAGE



DIMENSION (Unit : mm)



ACCESSORIES



Cable Gland



Mounting Bracket



Weather Proof Cover

SPECIFICATION

※ Specifications are subject to be changed without prior notice.

GTF - 1100U	
Wavelengths	185 - 260 nm (UV) / 4.5 - 4.8μm(IR)
Detection Distance	30m (0.1 m ³ n-Heptane pan fire)
Field of View	Horizontal : 100° Vertical : 100°
Typical Response Time	Typical 5sec. (0.1 m ³ n-Heptane pan fire @ 30m)
Indicator	Status LED(Bi-Color : Red & Green) / Alarm LED(Green)
Output	0-20mA Analog Current Output Alarm Relay 1, Trouble Relay 1 (SPDT 1A at 30VDC or 0.3A at 125VAC, resistive load) RS-485 Interface (MODBUS RTU)
Power Consumption	Stand by (Without B.I.T.) 2.2W @32VDC / 1.8W @24VDC / 1.5W @18VDC Stand by (With B.I.T.) 3.4W @32VDC / 2.9W @24VDC / 2.4W @18VDC Alarm 2.3W @32VDC / 1.9W @24VDC / 1.6W @18VDC
Housing Material	ALDC12 or SUS316
Dimension	76(W) x 76(H) x 96.5(D) mm
Weight (Detector Only)	ALDC12 : App. 0.7kg SUS316 : App. 1.7kg
Wiring Specifications	CVWSB with shield 0.75SQ * 10C (KFI certified products only)
Ambient Temperature	KCs : T6 = -50°C ≤ Ta ≤ 60°C, T5 = -50°C ≤ Ta ≤ 75°C, T4 = -50°C ≤ Ta ≤ 85°C FM : T6 = -40°C ≤ Ta ≤ 60°C, T5 = -40°C ≤ Ta ≤ 75°C
Operation Temperature	-40°C ~ 75°C
Storage Temperature	-50°C ~ 80°C
Operation Humidity	Up to 95% RH (Non-condensing)
CERTIFICATION	
KCs	Ex d IIC T6, T5, T4 FM(Performance) FM 3260
FM(Explosion proof)	Class I, Divisions 1, 2 Groups A, B, C, D T6, T5, T4, Class II, Divisions 1, 2 Groups E, F, G T6, T5, T4, Class III
CE / KFI	Refer to website