

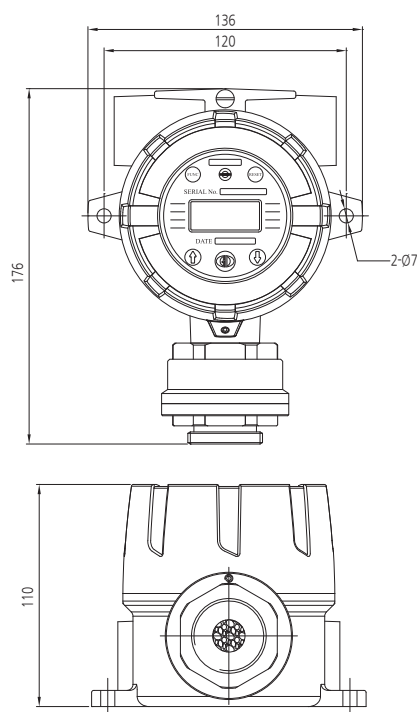
GTD-2000Tx Explosion Proof Type Diffusion VOC Gas Detector

| Continuous detection of VOC gas in explosion hazardous area with flame proof structure | Self diagnosis function with built-in Microprocessor | Low concentration VOC gas detection by PID sensor | Stable quality and proved detection principle for service life | Multi functions and high quality with low cost of ownership | Built-in back light LCD or OLED display | Easy Configuration of monitoring by HART communication | Auto calibration and program setting with a magnet bar | 4-20mA (Current source or Sink) output signal | With the alarm unit - Normal : Green LED - Alarm : Red LED, Buzzer(95 dB) - Trouble : Yellow LED | 3-wire connection for signal & power | Calibration and maintenance by one-man |

IMAGE



DIMENSION (Unit : mm)



ACCESSORIES



SPECIFICATION

※ Specifications are subject to be changed without prior notice.

SMART & LOCAL DISPLAY TYPE VOC GAS DETECTOR	
Model	GTD-2000Tx
Measuring gas	VOC gases(Benzene, Toluene, Xylene & etc)
Measuring type	Diffusion type
Measuring method	Photo-Ionization Detector(PID)
Measuring range	0 ~ 300ppm
Response time	< 5sec / 90% scale
Accuracy	±3% / Full scale
Parameter control	Non intrusive control with a Magnet bar (calibration, maintenance)
Operation mode display	1-LED (Power)
Measuring value display	LCD display (Built in back light 2-Line, 8 characters) / OLED Type (Option)
Output signal	Analog : Measuring signal : 4-20mA DC Calibration signal : 3mA DC Fault signal : 0mA DC Digital : 2mA (HART 7, HART Device Description Language available, Option)
Material	Housing : ALDC, SUS316(Optional) / Sensor : SUS316
Conduit connection	Standard : PF 3/4" Option : NPT 1/2", NPT3/4", M20 x 1.5P, M25 x 1.5P
Mounting type	2" Pole mount, Wall mount, Option
Operating temperature	-40°C ~ 80°C
Operating humidity	5 ~ 99% RH (non-condensing)
Dimensions	136(W) x 177(H) x 110(D)mm
Weight	1.5kg
CERTIFICATION	
KCs	Ex td A21 IP66 T85°C, Ex d IIC T6, T5, T4 ATEX / IECEx Ex db IIC Gb T6, T5, T4